

# IoT (Internet of Things) Education Kit



# Where is IOT?



- Smart Home – security, light, energy, wellbeing, household appliances
- Smart Energy – power grids, etc.
- Smart Health – wearable devices
- Smart manufacturing – asset management, operations improvement, maintenance, etc.
- Smart City – light, traffic, parking, environment, water, sewage, etc.
- Smart farming
- Autonomous vehicles

# Smart World

## Air Pollution

Control of CO<sub>2</sub> emissions of factories, pollution emitted by cars and toxic gases generated in farms.

## Forest Fire Detection

Monitoring of combustion gases and preemptive fire conditions to define alert zones.

## Wine Quality Enhancing

Monitoring soil moisture and trunk diameter in vineyards to control the amount of sugar in grapes and grapevine health.

## Offspring Care

Control of growing conditions of the offspring in animal farms to ensure its survival and health.

## Sportsmen Care

Vital signs monitoring in high performance centers and fields.

## Structural Health

Monitoring of vibrations and material conditions in buildings, bridges and historical monuments.

## Quality of Shipment Conditions

Monitoring of vibrations, strokes, container openings or cold chain maintenance for insurance purposes.

## Smartphones Detection

Detect iPhone and Android devices and in general any device which works with Wifi or Bluetooth interfaces.

## Perimeter Access Control

Access control to restricted areas and detection of people in non-authorized areas.

## Radiation Levels

Distributed measurement of radiation levels in nuclear power stations surroundings to generate leakage alerts.

## Electromagnetic Levels

Measurement of the energy radiated by cell stations and WiFi routers.

## Traffic Congestion

Monitoring of vehicles and pedestrian affluence to optimize driving and walking routes.

## Smart Roads

Warning messages and diversions according to climate conditions and unexpected events like accidents or traffic jams.

## Smart Lighting

Intelligent and weather adaptive lighting in street lights.

## Intelligent Shopping

Getting advices in the point of sale according to customer habits, preferences, presence of allergic components for them or expiring dates.

## Noise Urban Maps

Sound monitoring in bar areas and centric zones in real time.

## Water Leakages

Detection of liquid presence outside tanks and pressure variations along pipes.

## Vehicle Auto-diagnosis

Information collection from CanBus to send real time alarms to emergencies or provide advice to drivers.

## Item Location

Search of individual items in big surfaces like warehouses or harbours.

## Waste Management

Detection of rubbish levels in containers to optimize the trash collection routes.

## Smart Parking

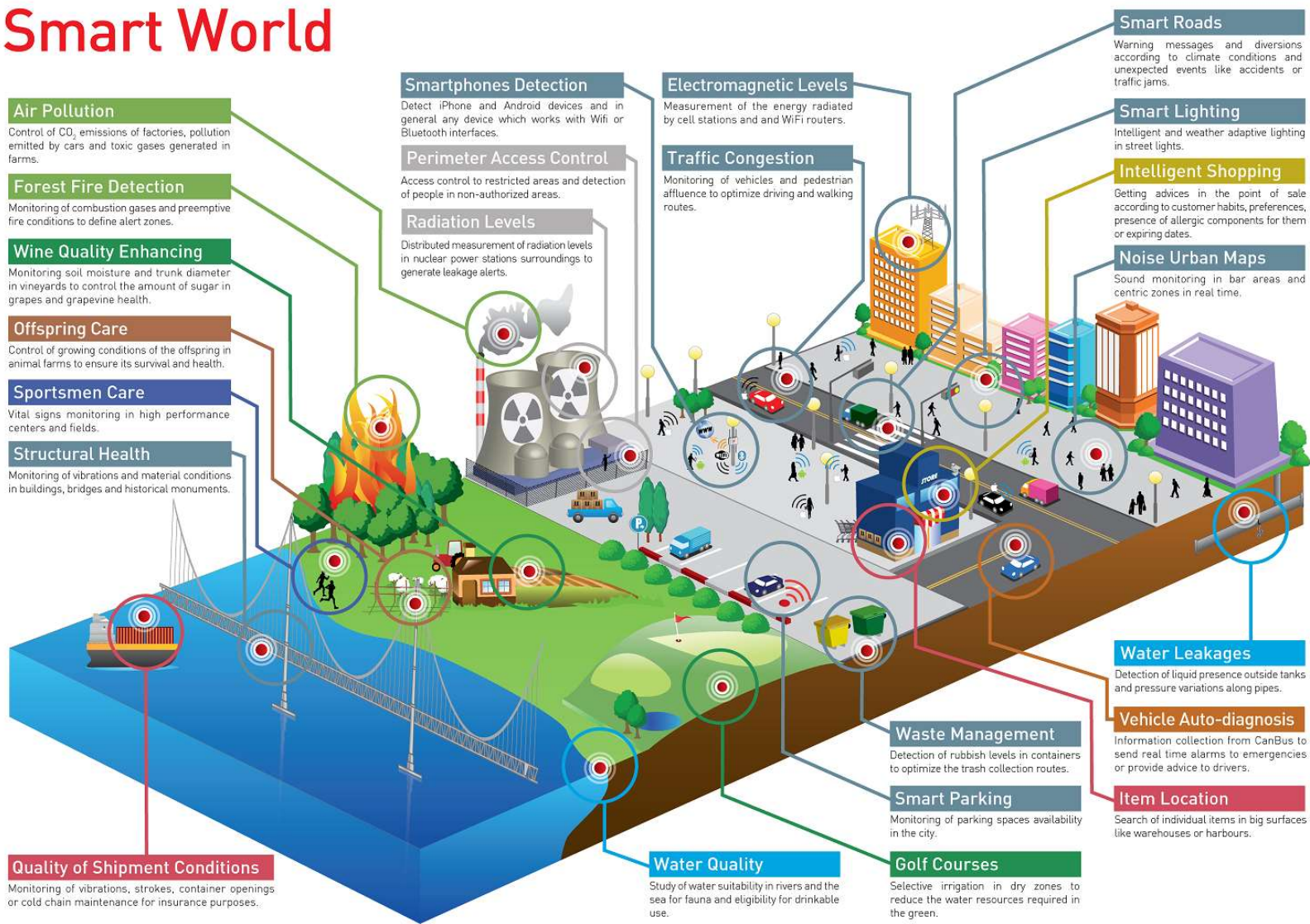
Monitoring of parking spaces availability in the city.

## Golf Courses

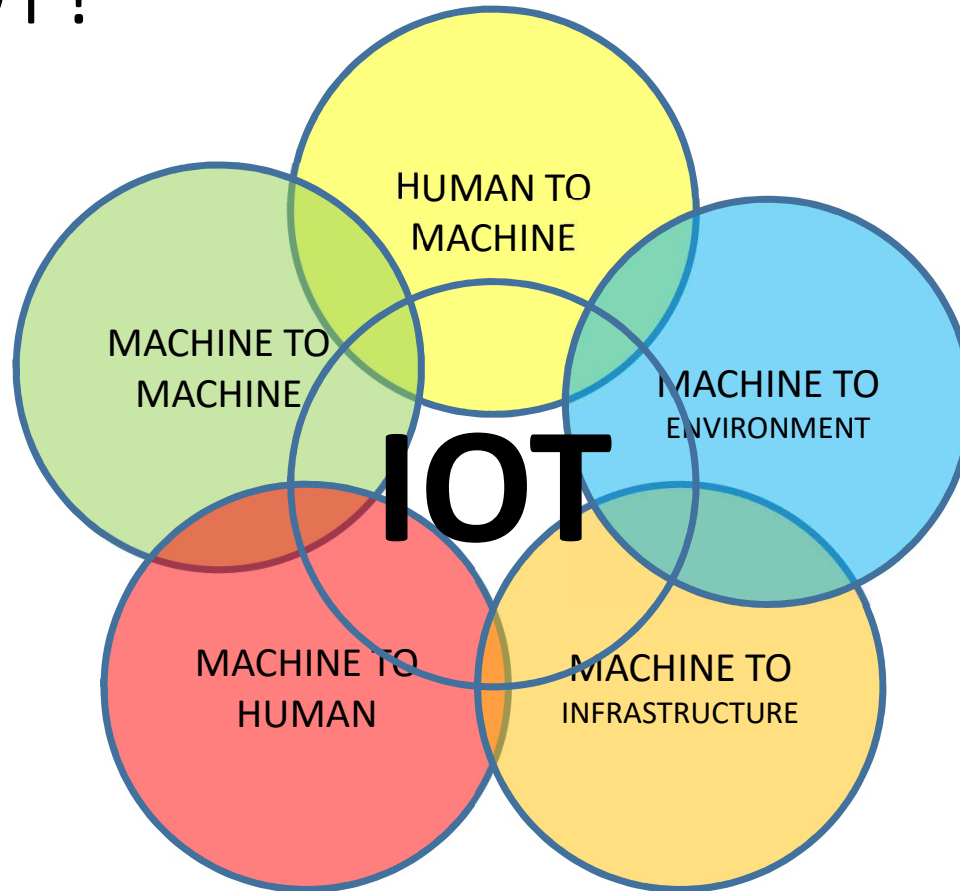
Selective irrigation in dry zones to reduce the water resources required in the green.

## Water Quality

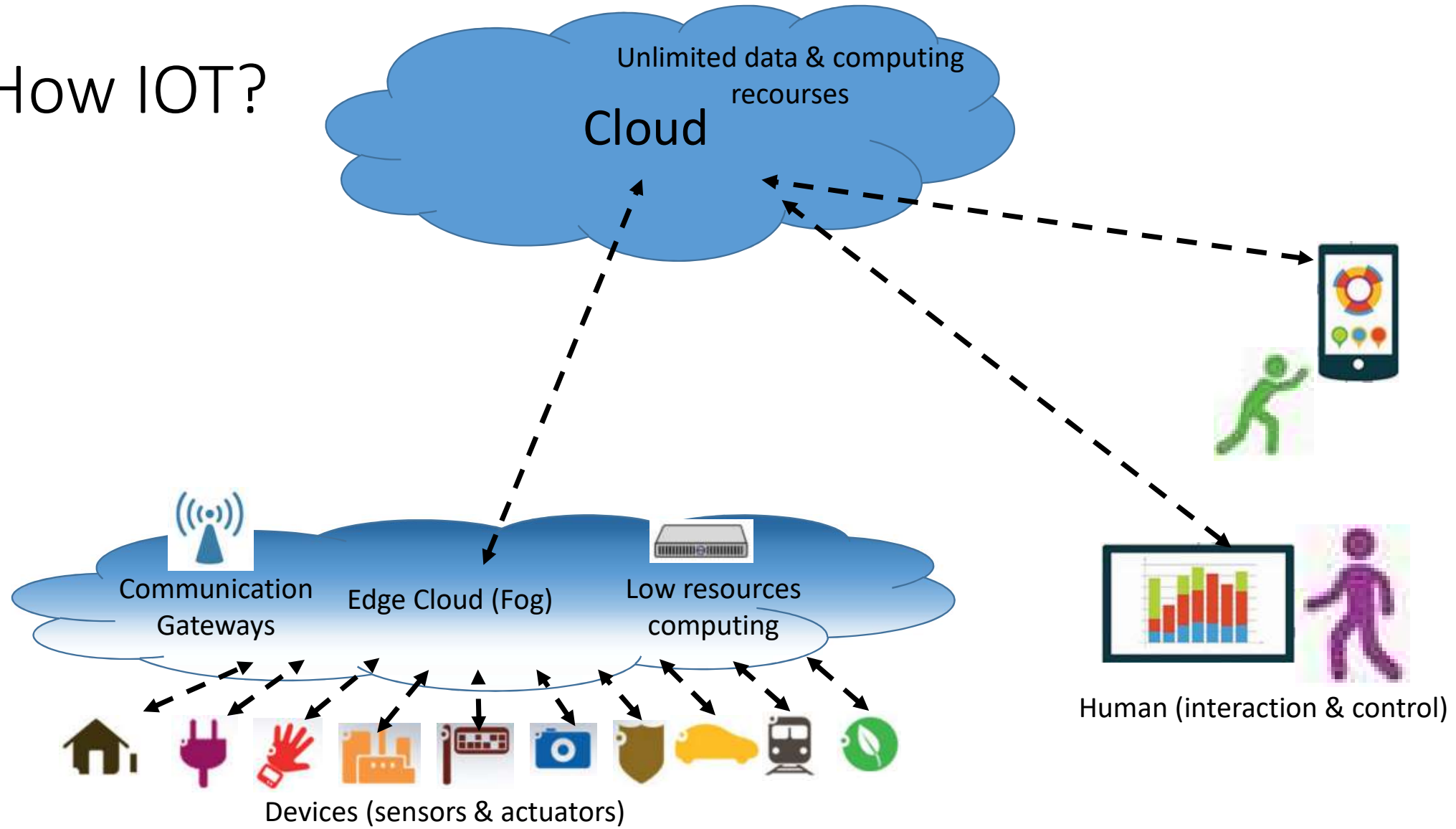
Study of water suitability in rivers and the sea for fauna and eligibility for drinkable use.



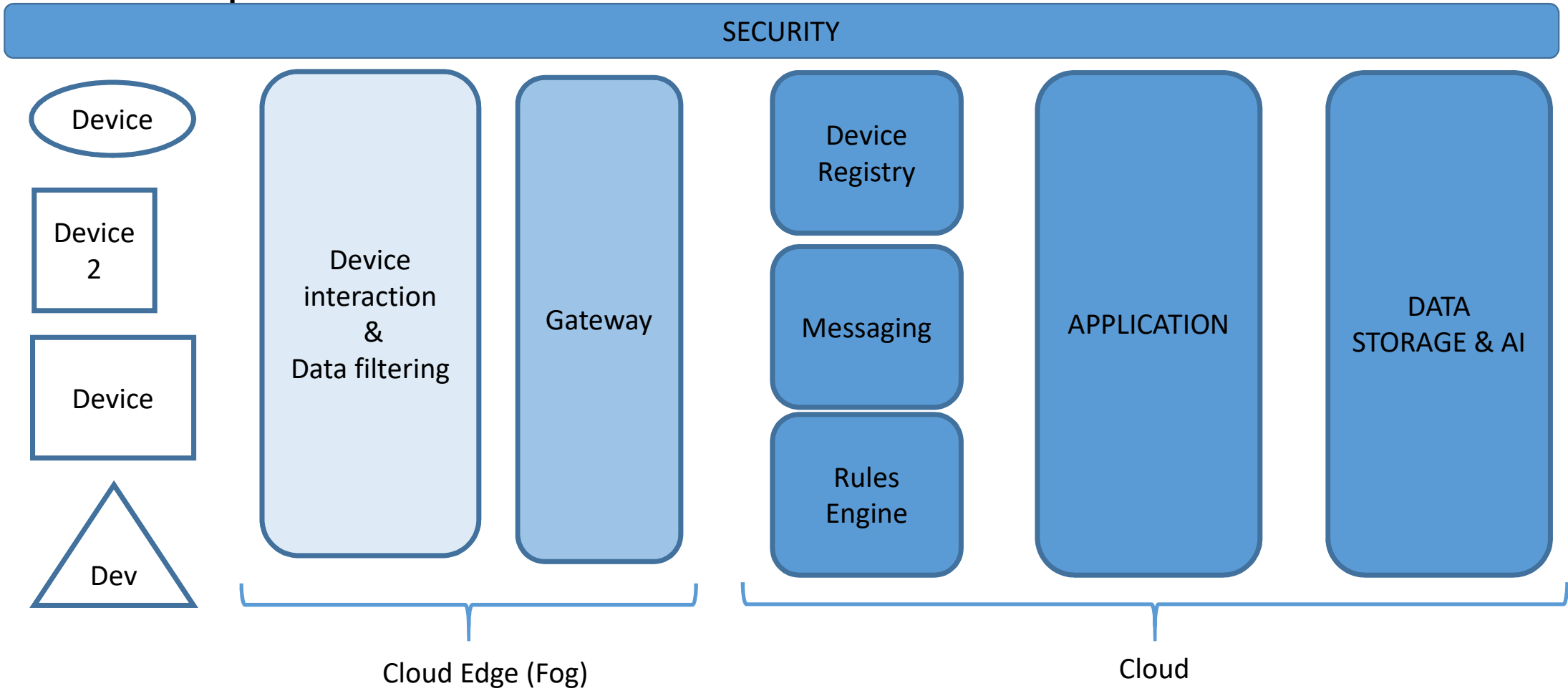
# What is IOT?



# How IOT?



# Deeper ?



# Standards

| Home/Building                       | Manufacturing/<br>Industry Automation | Vehicular/<br>Transportation | Healthcare | Energy | Cities | Wearables | Farming/<br>Agrifood |
|-------------------------------------|---------------------------------------|------------------------------|------------|--------|--------|-----------|----------------------|
|                                     |                                       |                              |            |        |        |           |                      |
|                                     |                                       |                              |            |        |        |           |                      |
| <p>Horizontal/Telecommunication</p> |                                       |                              |            |        |        |           |                      |

Source: AIOTI WG3 (IoT Standardisation) – Release 2.6

# What Is White-Cube?

White-Cube is a software-enabled IoT platform  
aiming to provide software developers  
hassle-free remote control over  
various types of IoT devices



# What Is White-Cube?

- Multiple Sensors: Temp, Reed (IR), Noise, Light, Humidity and others
- Multiple Controllers: Button, Led, Relay
- Seamless setup
- Simple software interface
- Run it from anywhere
- Made easy for software developers

# What Can I Accomplish With It?

- Build your own logic to control your environment:
  - Room access control
  - Smart irrigation system
  - Lecture attendance counter
- Control it with any programming language: C, C++, Closure, Dart, Delphi, Erlang, Go, Haskell, Java, Javascript, .Net, Objective-C, Perl, Php, Python, Ruby

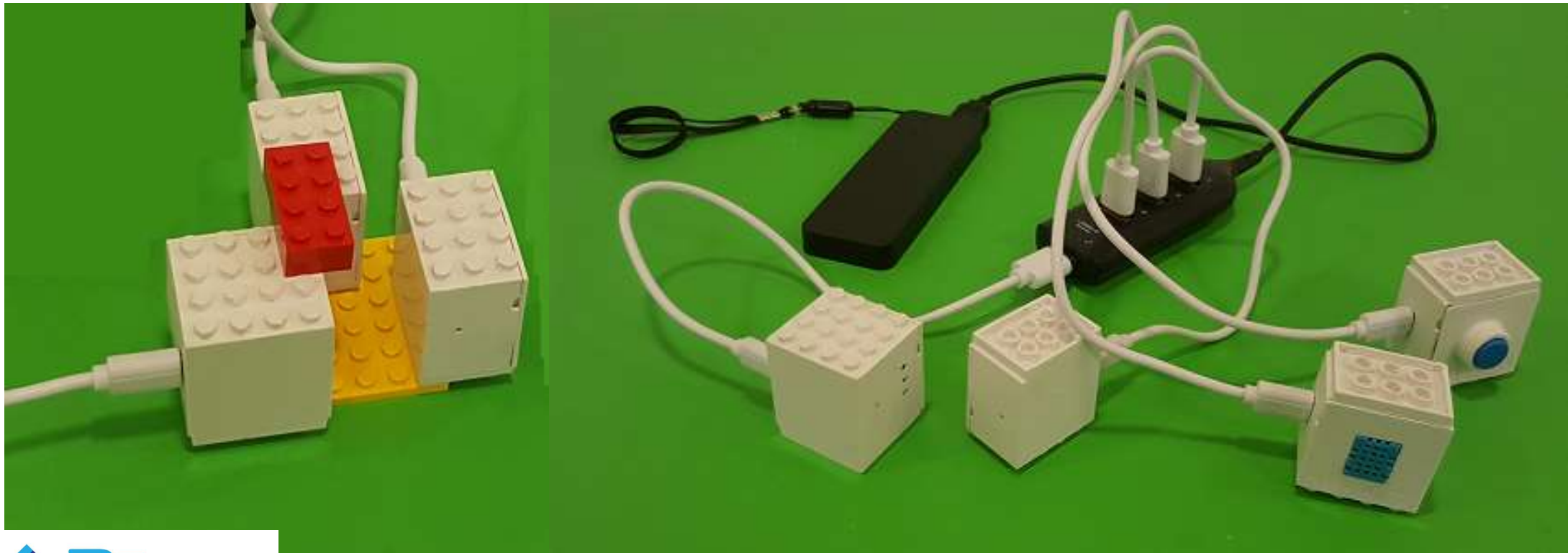
How to teach?

Simplify

&

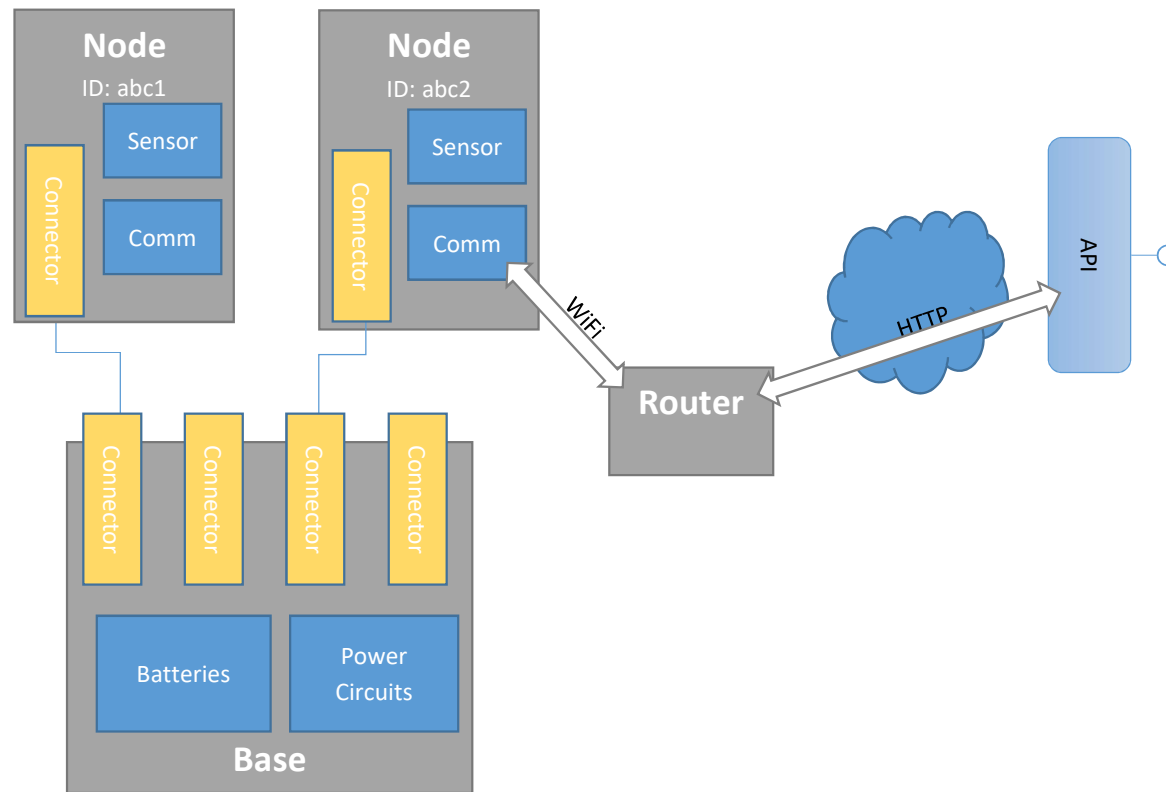
PLAY

# White-Cube sensors and actuators – a game to study



# Block diagram

IOT System based on White-Cube Kit



# Thank you



Mr. Alexander Shmunik  
CEO 3pi-solutions  
[www.3pi-solutions.com](http://www.3pi-solutions.com)



Dr. Yakov Damatov  
Computer Science Faculty  
[www.hit.ac.il](http://www.hit.ac.il)

# Bibliography

- [Digitising the Industry IoT IERC 2016 Cluster eBook 978-87-93379-82-4 P Web.pdf](#)
- <http://www.visionmobile.com/product/iot-megatrends-2015>
- <https://ec.europa.eu/digital-single-market/en/ict-art-starts-platform>
- <http://www.aioti.eu/>
- <http://iot-epi.eu/>
- <https://ec.europa.eu/digital-single-market/en/digitising-european-industry>
- <http://www.analog-eetimes.com/news/google-silicon-labs-mesh-zigbee-protocol>
- <http://www.iso.org/iso/internet>
- <http://www.bluetooth.com/>
- <http://www.thisisant.com/>
- <http://www.cnn.com/2015/09/22/after-smartphones-wearable-tech-poised-to-be-next-big-thing.html>
- <http://www.wi-fi.org/>
- <https://securityintelligence.com/is-the-internet-of-things-too-big-to-protect-not-if-iot-applications-are-protected/>
- <http://ec.europa.eu/eurostat/statistics-explained/index.php/Land>
- <http://ec.europa.eu/eurostat/statistics-explained/index.php/Road>
- <http://ec.europa.eu/agriculture/trade-analysis/map/2015-1>
- <http://www.theguardian.com/uk-news/2014/jan/21/horsemeat-scandal-p>
- <http://ec.europa.eu/eurostat/statistics-explained/index.php/Agriculture>
- <http://www.europoolsystem.com/UploadBestanden/Article-Delhaize.pdf>
- And many others